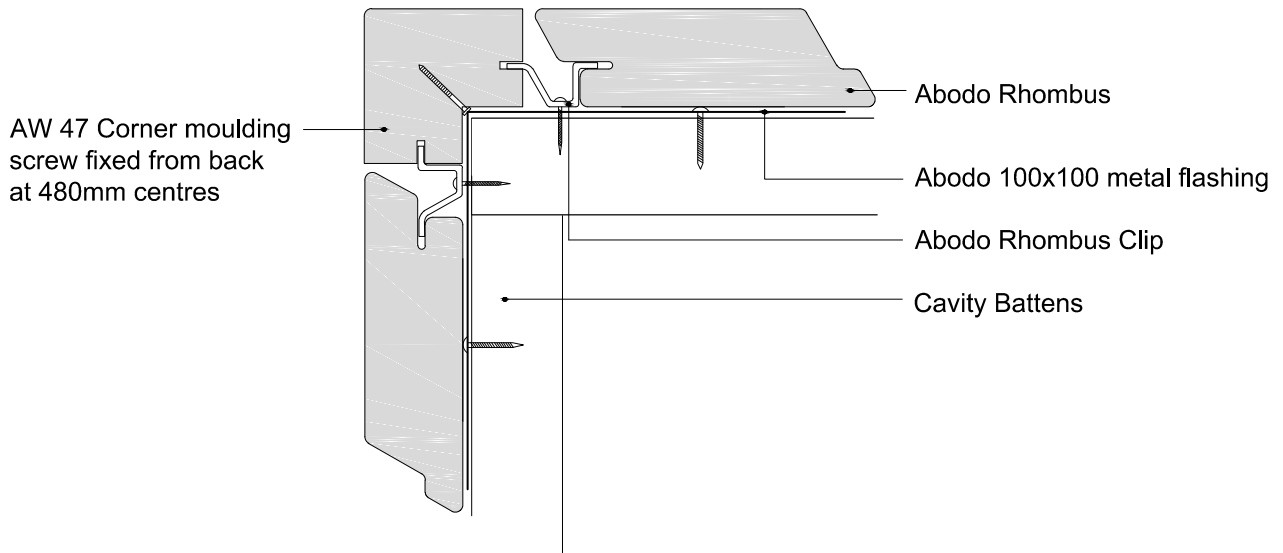


1. Weatherboards must be coated with at least one coat all sides prior to fixing.
2. Fixing points must be pre-drilled minimum 1mm smaller than the fastener.
3. Cut ends and exposed timber must be sealed with an approved coating or end seal.



Abodo Rhombus Vertical External Corner

Scale
1:2

Date
26/08/16



© 2013 Abodo Wood Ltd, PO Box 8961, Symonds St, Auckland 1052
Ph 64 9) 302 9555 Fx 64 9) 302 9550
www.abodo.co.nz

Drawing No.